

Drill motors with stand

Husqvarna DMS 160 AT

DMS 160 AT is a small but powerful electric drill motor and stand system. An ideal choice for light core drilling applications up to 120 mm diameter. For optimal flexibility you can easily angle and rotate the pivot column, saving you time. Suitable for stitch drilling and drilling close to walls and edges in applications such as small channels and pipes as well as electrical sockets.

- Rated input power **1.55 kW**
- Drill bit diameter, max **120 mm**
- ⚡ Voltage **220-240 V**

Article number : DRILL MOTOR DMS 160 AT 220-240 V | 1-ph | EU | w. el cb - 965 15 75-04



FEATURES

Want to take a closer look? Learn more about the product in depth by exploring its features and benefits.



Profitable and efficient setup

Several drilling options with one setup.



Overload protection

Increases productivity and extends service life.

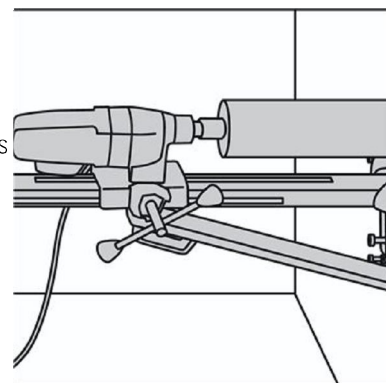
Load indicator

The LED indicator shows the load of the machine, allowing the operator to always drill at maximum pressure, for best performance.



Channels, pipes and cables

Drilling ventilation channels and holes for pipes and cables.

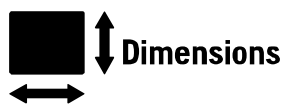


- Stitch drilling

SPECIFICATIONS



Rated input power	1.55 kW
Rated current	6 A
Phases	1 ph
Frequency	50 Hz
Voltage	220-240 V



Drill bit diameter, max	120 mm
Weight	12 kg

Ташев-Галвинг ООД
www.tashev-galving.com